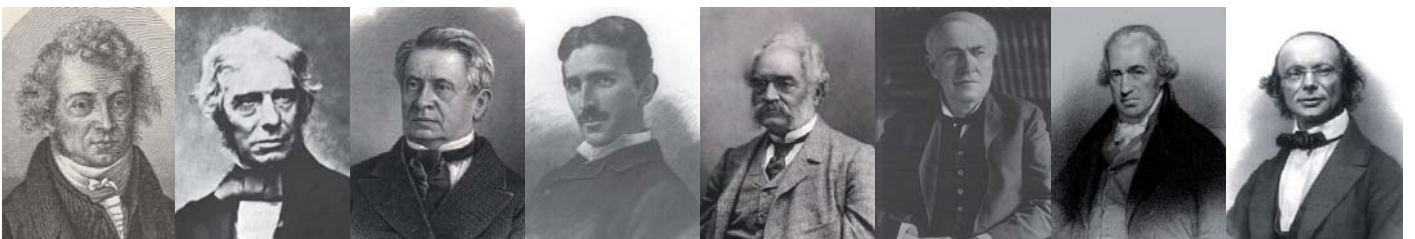


BOSCO

CONSOLE 2000



Le Grandi menti del passato costruiscono il Nostro Futuro
The Great Minds of the past build our future

Le console componibili della **serie 2000** sono una linea complementare delle console serie 3000 , adattabili principalmente a una linea desk . Anch'essa viene utilizzata per centri di controllo di medie e grandi dimensioni per automazione, comando e controllo, con possibilità di realizzare batterie di console affiancate in linea per il controllo di complessi impianti industriali.

Sono adatti all'installazione a pavimento con possibilità di accesso dal fronte e dal retro, accessibili dal basso per l'ingresso dei cavi .

*The console of the composable **2000 series** is a line of complementary console series 3000, principally adaptable to a line desk . Also is used to control centers for automation, command and control, with possibility of making a set of consoles side by side placed on line for the control of complex industrial.*

They are suitable for installation on the floor with possibility of access from front and rear and from below in order to allow the cable entry .

Console Desk per control room

- Design armonioso
- **Struttura** realizzata in lamiera d'acciaio verniciata sp. 1,5mm ,con forature a passo DIN 25mm per istallazione di apparecchi elettrici.
- **Piano di lavoro su un livello** in legno rivestito in HPL sp. 30mm o in stratificato HPL sp. 18mm .
- **Porte fronte/retro** realizzate in lamiera d'acciaio verniciata sp. 1,5mm, con serrature a chiave.
- **Piedini di regolazione**
- **Ripiano Porta Computer** realizzato in lamiera d'acciaio zincato sp. 1,5mm
- **Verniciatura alle poveri epossidiche** sp. 70micron

Console Desk for control room

- *Harmonious Design*
- *Structure realized in painted steel sheet thickness 1.5mm drilled to DIN 25mm step for the installation of electrical equipment.*
- *Work surface over a level wooden covered with HPL th. 30mm or laminated HPL th. 18mm.*
- *Doors front and rear realized in painted steel sheet thickness 1.5mm with key locks.*
- *Adjustable Feet*
- *Computer Shelf realized of galvanized steel sheet sp. 1,5mm*
- *Painted Epoxy powder th. 70 micron*

Struttura moduli
modules structure





Esempi di installazione di Console Serie 2000
Example of Console 2000 Serie



Specifiche tecniche Technical Specifications

- Tre dimensioni di larghezza:
- 300,600, 800mm : porta singola e serratura a chiave
- Profondità 600mm Standard, e fino a 1000mm per alloggiamento dei Server Computers
- Montaggio Semplice dei moduli, forniti già montati o in kit di montaggio
- Accessibilità : fronte e retro con serratura a chiave. adatti a fissaggio a pavimento

- *Three widths:*
- 300, 600, 800mm: single door and lock
- *Depth 600mm Standard, and for accommodation up to 1000mm Server Computers*
- *Simple assembly of modules, supplied assembled or in kit*
- *Accessibility Front and rear with key locks. Suitable for floor fixing.*

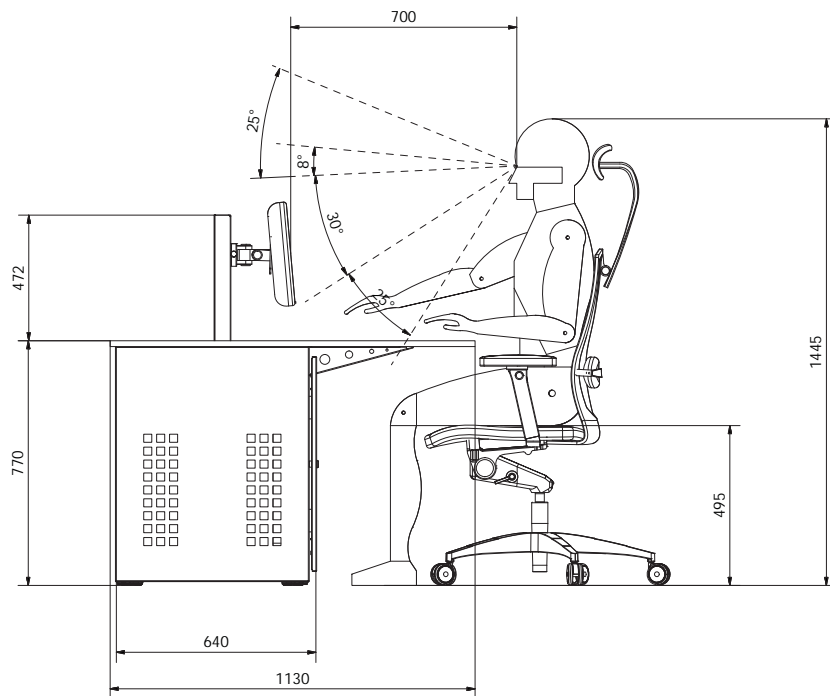


Disponibili Altre dimensioni a richiesta.
Other dimensions available on request.





Ergonomia
Ergonomics



Esempi di composizione Examples of composition

Le console BOSCO serie 2000 forniscono svariate possibilità compositive affiancando, moduli, canale e terminali. Permettendo di creare, a secondo dell'esigenza, architetture lineari, curve, a ferro di cavallo o ad angolo e di varia lunghezza.

The console BOSCO 2000 series provide countless compositional alongside, modules, channel and terminal. Allowing to create, according to the need, linear architectures, curved, horseshoe or at an angle and of varying length.





Terminale di chiusura

Disponibile curvo o solo con i lati arrotondati.
Design armonioso e arrotondato.
Realizzato in lamiera verniciato alle polveri epossidiche del colore desiderato.

Terminal of closure

Available with curved or rounded sides.
harmonious and rounded design.
Realized in painted sheet metal to epoxy powders of the desired color.



Canalina sotto Top in sostituzione del modulo con portella, rende snella ed economica la composizione.
Misure di lunghezza: 600, 800, 1000 e 1200 mm



Cable way under Top instead of the Module with door, makes composition simple and cheap.
Length Size : 600, 800, 1000 and 1200 mm



Gruppo Prese con magneto termico

Design moderno con finiture colore nero e alluminio.

- Magneto termico
- Connessioni : 6 prese universali Shuko/italiane 45 gradi con terra.
- Capacità di carico : 3,5 kw
- Voltaggio 220-250Vac 16A

Group Sockets with thermal magnetic

Modern design with black finish and aluminum.

- thermal Magneto
- Connections: 6 universal sockets Shuko / Italian 45 degrees with the ground.
- Load capacity: 3.5 kw
- Voltage 220-250Vac 16A Access: by remove front cover



Ripiano Porta PC verticale:

Materiale: Acciaio ZINCATO

Vertical PC Shelf

Material: GALVANIZED steel



Ripiano Porta PC orizzontale

Materiale: Acciaio ZINCATO

Horizontal PC Shelf

Material: GALVANIZED steel



Due tipologie di top *Two typologies of top*

Bosco propone per la collezione Console 3000 e Console 2000 una raffinata combinazione di materiali, all'insegna della qualità e dell'eleganza. Il top in HPL, ultra resistente, si abbina perfettamente alla struttura in lamiera d'acciaio verniciata alle polveri epossidiche. Uno splendido effetto, in grado di associare raffinatezza, qualità e funzionalità.

Bosco propone due tipologie differenti di top per le proprie console :

- Lo stratificato HPL .
- Truciolato ignifugo rivestito con lamina di HPL di 1mm di spessore .

Bosco offers for the collection Console 3000 Console 2000 and an exquisite combination of materials, with the quality and elegance. The top in HPL, ultra resistant, fits perfectly the structure in sheet steel powder coated epossidiche. A wonderful effect, able to associate sophistication, quality and functionality.

Bosco offers two different types of top for their consoles:

- *The HPL.*
- *Fireproof chipboard covered with foil HPL 1mm thick.*



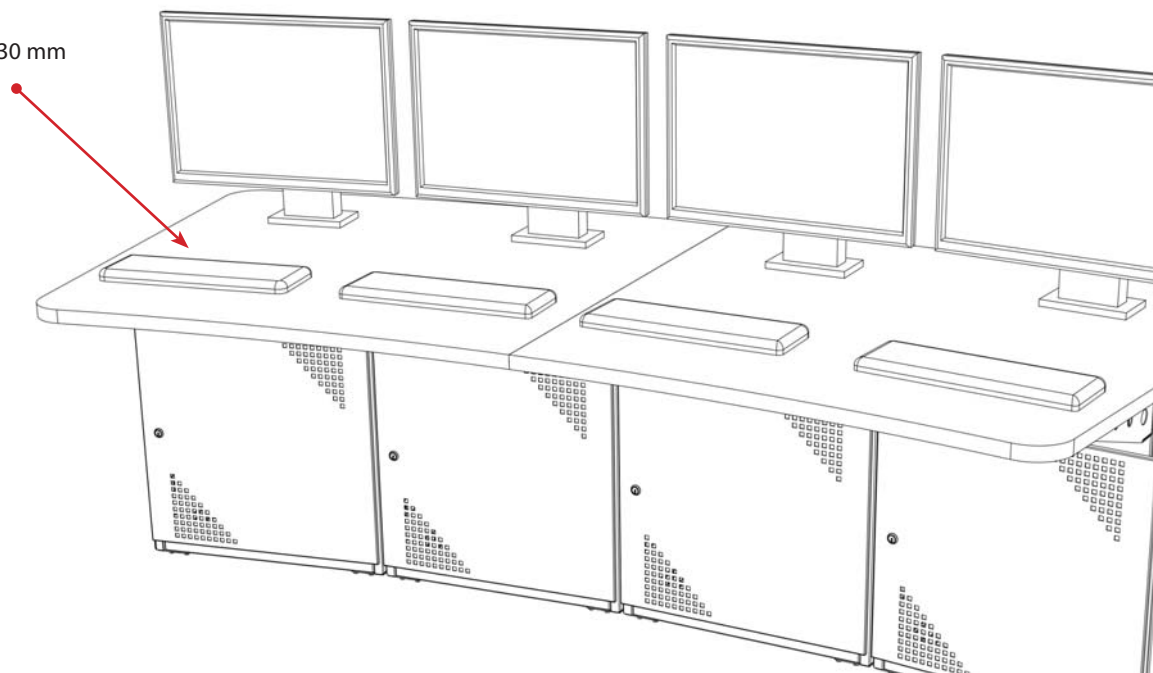
Stratificato HPL / HPL thickness



Legno Ignifugo rivestito con lamina di HPL 1mm
Fireproof wooden covered with foil 1 mm HPL

Stratificato HPL spessore 18mm
HPL thickness 18 mm

Legno Ignifugo spessore 30 mm
Fireproof 30 mm wooden





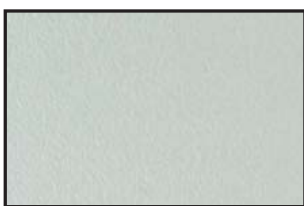
Colorazioni disponibili Colours available

Le colorazioni sottostanti sono disponibili sia in stratificato HPL, sia in legno ignifugo rivestito in HPL.

The colors underlying are available in HPL and wooden covered in HPL.



Grigio Antracite, Superficie antigraffio
Pearl Anthracite, scratchproof surface



Grigio Perla, Superficie antigraffio
Pearl Grey, scratchproof surface



Light Teak, Superficie antigraffio
Light Teak, scratchproof surface

A richiesta è disponibile qualsiasi colore.
On request, any color is available.

I vantaggi dello stratificato HPL The advantages of HPL

Materiale compatto e non poroso, straordinariamente igienico, facilmente pulibile, lo Stratificato HPL è resistente allo sviluppo di virus e batteri.

Compact and non-porous, extremely hygienic and easy to clean, Stratified HPL resists the development of viruses and bacteria.

PROPRIETA' AUTOPORTANTI



PROPERTIES SELF-SUPPORTING

COMPATIBILE CON L'AMBIENTE



ENVIRONMENTALLY FRIENDLY

MECCANICAMENTE ROBUSTO



MECHANICALLY STURDY

ALTA RESISTENZA ALL'ACQUA E AL VAPORE



HIGH RESISTANCE TO WATER AND STEAM

OTTIME CARATTERISTICHE DI IGIENICITA'



EXCELLENT HYGIENIC PROPERTIES

FACILMENTE PULIBILE



EASY TO CLEAN

ANTISTATICO



ANTI-STATIC

ALTA RESISTENZA AGLI AGENTI CHIMICI E SOLVENTI ORGANICI



HIGH RESISTANCE TO CHEMICALS AND ORGANIC SOLVENTS

IDONEO PER IL CONTATTO CON GLI ALIMENTI



SUITABLE FOR CONTACT WITH FOODSTUFF

OTTIMO COMPORTAMENTO AL FUOCO, GAS E FUMI NOCIVI



EXCELLENT PERFORMANCE TO FIRE, SMOKE AND TOXIC GASES



Supporti Monitor VESA

Supporti monitor in lamiera da 2 mm verniciati alle polveri epossidiche RAL 9006 .
Regolabile e montato direttamente sul top
Grazie al coperchio copri cavi nasconde interamente il passaggio di cavi .

VESA Monitor Support

Monitor mounts in 2mm thick sheet metal with epoxy powder coated RAL 9006.
Adjustable and mounted directly on top
Thanks to the cable cover completely hides the passage of cables.

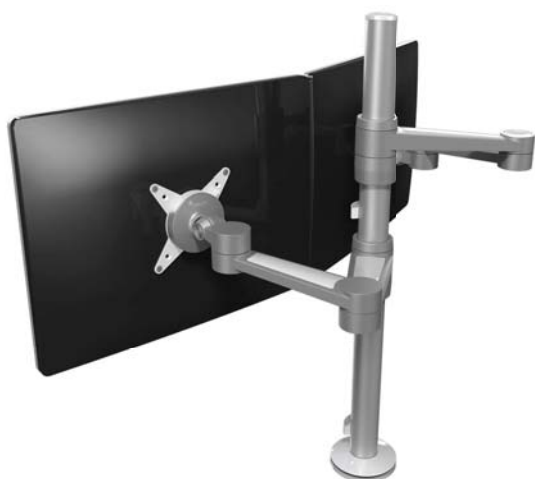


Supporti Snodati

Danno la possibilità di regolare individualmente l'altezza di ciascun braccio, i monitor si possono allineare perfettamente anche se di dimensioni o di peso diversi. Le sue quattro estensioni consentono di regolare ogni monitor in modo indipendente e di creare postazioni di lavoro faccia a faccia.

Articulated Monitor Support

They give the possibility to individually adjust the height of each arm, the monitors can be aligned perfectly even if different in size or weight. Its four extensions allow you to adjust each monitor independently and create workplaces face to face.



Cassettiera

Montata internamente al modulo PC la cassetteria BOSCO è provvista di un design armonioso , interamente in lamiera verniciata alle polveri epossidiche garantisce resistenza.
Dotata di serratura a chiave e facilmente accessibile dall'operatore .

Chest of drawers

Mounted inside the module PC the chest of drawers BOSCO is equipped with a harmonious design, entirely in sheet epoxy powder coated to ensure durability.
Equipped with key lock and easily accesible by the operator.



Esempi di installazione di Console Serie 2000
Example of Console 2000 Serie



Bosco it is quality : Bosco è qualità :

Da oltre vent'anni operiamo in conformità agli standard più stringenti in tema di qualità. Abbiamo seguito, nel corso degli anni, il costante mutamento di questo concetto, passato dalla semplice "qualità di prodotto" alla "gestione totale per la qualità". La certificazione ISO 9001:2008 ottenuta ha segnato una tappa importante, quale riconoscimento del lavoro svolto. Un prodotto di qualità, certo, ma anche elevata rapidità di consegna, un supporto quotidiano in grado di offrire soluzioni a qualunque quesito, particolare attenzione alla eliminazione degli errori, veri e propri "costi occulti".

For over twenty years we operate in compliance with the more stringent standards in terms of quality. We followed, over the years, the constant change of this concept, from the simple past "product quality" to "total quality management". A quality product, certainly, but also high speed of delivery, a daily support can offer solutions to any questions, particular attention to the elimination of errors, real "hidden costs".

I nostri prodotti , Impianti e servizi hanno qualità certificata: Our products, systems and services have certified quality:

BOSCO SRL
Head Office and Operative Site :
Via Trento, 7 – 22070 FENEGRO' (CO) - ITALY

This is a multi-site certificate, additional site are listed in the appendix to this certificate

Bureau Veritas Italia spa certify that the Management System of the above organisation has been audited and found to be in accordance with the requirements of the management system standards detailed below

Standard
ISO 9001:2008

Scope of certification

Design, construction and installation of control panel, electrical component and wirings for industrial production.
Design and manufacture of steel frame for low voltage cabinets.

EA Sector(s): 17,19
Certification cycle start date: 09 January 2015
Subject to the continued satisfactory operation of the organisation's Management System, this certificate expires on: 08 January 2018
Original certification date: 09 January 2015

Certificate No. IT258591 Version N°1 Revision date: 09 January 2015

Yuh
LODOVICO JUCKER – Local Technical Manager

Certification body address:
Bureau Veritas Italia spa, Via Milanese, 15, 20126 Milano, Italia

Further clarifications regarding the scope of this certificate and the applicability of the management system requirements may be obtained by consulting the organisation. To check this certificate validity please refer to the website www.bureauveritas.it

Attachment to the Certificate of Conformity
N° IT258591

BOSCO SRL
Head Office and Operative Site :
Via Trento, 7 – 22070 FENEGRO' (CO) - ITALY

Bureau Veritas Italia spa certify that the Management System of the above organisation has been audited and found to be in accordance with the requirements of the management system standards detailed below

Standard
ISO 9001:2008

Site	Address	Scope
ELETTROMECCANICA BOSCO SNC DI BOSCO VINCENZO & FRANCESCO	Via Trento, 3 - 22070, FENEGRO' (CO) ITALY	Design and manufacture of steel frame for low voltage cabinets.
BOSCO SRL	Via Trento, 7 - 22070, FENEGRO'(CO) ITALY	Design, construction and installation of control panel, electrical component and wirings for industrial production.

Issue N°1 Revision Date: 09 January 2015

Yuh
LODOVICO JUCKER – Local Technical Manager

Certification body address:
Bureau Veritas Italia spa, Via Milanese, 15, 20126 Milano, Italia

Further clarifications regarding the scope of this certificate and the applicability of the management system requirements may be obtained by consulting the organisation. To check this certificate validity please refer to the website www.bureauveritas.it

BOSCO SRL
Head Office and Operative Site:
Via Trento, 7 – 22070 FENEGRO' (CO) - ITALY

This certificate is part of the multi-site certificate n. IT258591 of 09 January 2015 of BOSCO SRL.

Bureau Veritas Italia spa certify that the Management System of the above organisation has been audited and found to be in accordance with the requirements of the management system standards detailed below

Standard
ISO 9001:2008

Scope of certification

Design, construction and installation of control panel, electrical component and wirings for industrial production.

EA Sector(s): 17,19
Certification cycle start date: 09 January 2015
Subject to the continued satisfactory operation of the organisation's Management System, this certificate expires on: 08 January 2018
Original certification date: 09 January 2015

Certificate No. IT258591 A Version N°1 Revision date: 09 January 2015

Yuh
LODOVICO JUCKER – Local Technical Manager

Certification body address:
Bureau Veritas Italia spa, Via Milanese, 15, 20126 Milano, Italia

Further clarifications regarding the scope of this certificate and the applicability of the management system requirements may be obtained by consulting the organisation. To check this certificate validity please refer to the website www.bureauveritas.it

ELETTROMECCANICA BOSCO SNC DI BOSCO VINCENZO & FRANCESCO
Head Office and Operative site :
Via Trento, 3 – 22070 FENEGRO' (CO) - ITALY

This certificate is part of the multi-site certificate n. IT258591 of 09 January 2015 of BOSCO SRL.

Bureau Veritas Italia spa certify that the Management System of the above organisation has been audited and found to be in accordance with the requirements of the management system standards detailed below

Standard
ISO 9001:2008

Scope of certification

Design and manufacture of steel frame for low voltage cabinets.

EA Sector(s): 17
Certification cycle start date: 09 January 2015
Subject to the continued satisfactory operation of the organisation's Management System, this certificate expires on: 08 January 2018
Original certification date: 09 January 2015

Certificate No. IT258591 B Version N°1 Revision date: 09 January 2015

Yuh
LODOVICO JUCKER – Local Technical Manager

Certification body address:
Bureau Veritas Italia spa, Via Milanese, 15, 20126 Milano, Italia

Further clarifications regarding the scope of this certificate and the applicability of the management system requirements may be obtained by consulting the organisation. To check this certificate validity please refer to the website www.bureauveritas.it

Le nostre referenze Console per Control room : Our references for Console Control room :

Year	Customer	End customer	Country	Description of Supply
2017	Schneider	JSC EUROCHEM	Russia	Ammonia Production, Kingisepp Supply of Consol for Control Room , printer table and Engineering room
2017	Schneider	East delta electricity production company	Egypt	POWER PLANT - South Helwan Plant Supply of Consol for nr 2 Control Room , Printer room and Engineering room Supply nr 8 console - Engineering room nr.24 Console desk and 68 Chairs
2016	Honeywell	Electro gas malta	Malta	POWER PLANT - ELECTROGAS MALTA CONSORTIUM Supply of Consol for Control Room , Engineering room and Chairs
2016	ABB	Dublin Waste to Energy	Dublin	Dublin WTE Control room Supply of Consol for Control Room , Engineering room and Wall Muonting
2016	Siemens	CDEEE Corporation	Rep. Dominicana	Control Room Punta Catalina -Main consoles KBA010 distributed contol sistem Supply of Consol for Control Room , Engineering room and chairs .
2015	Schneider Italy	Tecnimont	Italy	Control Room Temparossa Supply of Consol for nr 2 Control Room , Operator Desk, Printer Cabinet and Chairs
2015	Yokogawa	TK OIL	Tagikistan	Control Room Danghara Complex - 5,000 MTPD Methanol Plant Supply of Consol for Control Room , Engineering room and chairs
2014	Interproject	JSC "Antipinsky Refinery"	Russia	Control Room JSC "Antipinsky Refinery" Supply of nr. 13 Consol for Control Room and Engineering room
2014	ABB Italy	Versalis	Italia Brindisi	Revamping Control Room Consoles - PE1\2 - PE1CR PLANT Supply of Consol for nr 2 Control Room and Engineering room
2014	Invensys Spagna	DSW	Israele	DSW Power Plant Dead Sea Works - New Consoles for control Room Project UTE Supply of Consol for Control Room and Engineering room
2014	Honeywell Italy	Eni Congo	Rep. Congo	LITCHENDJILI WP5 50000878/107 - POINTE NOIR REPUBLIQUE du CONGO Supply of Consol for Control Room and Engineering room
2014	Sea Energia	Sea Energia	Varese Italy	POWER PLANT - Malpensa Aeroport Supply of Consol for Control Room and Engineering room
2013	Eurotherm Italy	CESI	Mialno Italy	POWER PLANT Test Supply of Consol for Control Room and Engineering room
2013	Bellelli Eng. Italy	Bellelli Eng.	Pakistan	INCINERATOR PACKAGE - AMMINE GAS SWEETENING UNITS Supply of Consol for Control Room and Engineering room
2013	Siemens Italy	Ansaldo energia	Tunisia	COLAKOGLU1 X 185MW C.F.B. POWER PLANT Supply of Consol for Control Room and Engineering room
2012	TCB	N.M.C.	Greece	Nea Messimvria Compressor Station Site Offices Supply of Consol for Control Room Project STG - Desfa Extension
2012	Interproject Italy	TNK-BP Linik	Ucraina	Project ExperionPKS for Air Compressors Unit#2 Supply of Consol for Control Room
2011	Yokogawa	DESFA	Greece	Desfa Hellenic gas transmission system Supply of Consol for Control Room Project STG
2011	Invensys Italy	Helpe	Greece	Hellenic Petroleum S.A Elefsis Refinery (Atene)Greece Supply of Consol for Control Room Proj. ERIP \ ERUP
2011	Ansaldo	Eni	Italy	Power plant Gela Sicily (Caltanissetta) Supply of Consol control room boiler system C5000 plan
2011	ABB	SNAM group ENI	Italy	Power plant Montesano (Salerno) Supply of consol for Control room compressed gas plant
2010	Interproject Italy	Honeywell	Russia	Azerbaijan Methanol Company (Russia) Supply of Consol for Control room Proj Exfperion PKE

Contatti Contacts

E-mail

info@elettrobosco.it

Web

www.elettrobosco.com

Commerciale Sales Manager

francesco.bosco@elettrobosco.it

claudio.girola@elettrobosco.it



Bosco S.r.l.

Via Trento, 5
22070 - Fenegrò - (CO)
Italy

Tel.: +39 031 4471600

Fax: +39 031 4471624

BOSCO

Brochure Console 2000 2017
Rev. 03P del 10/2017

